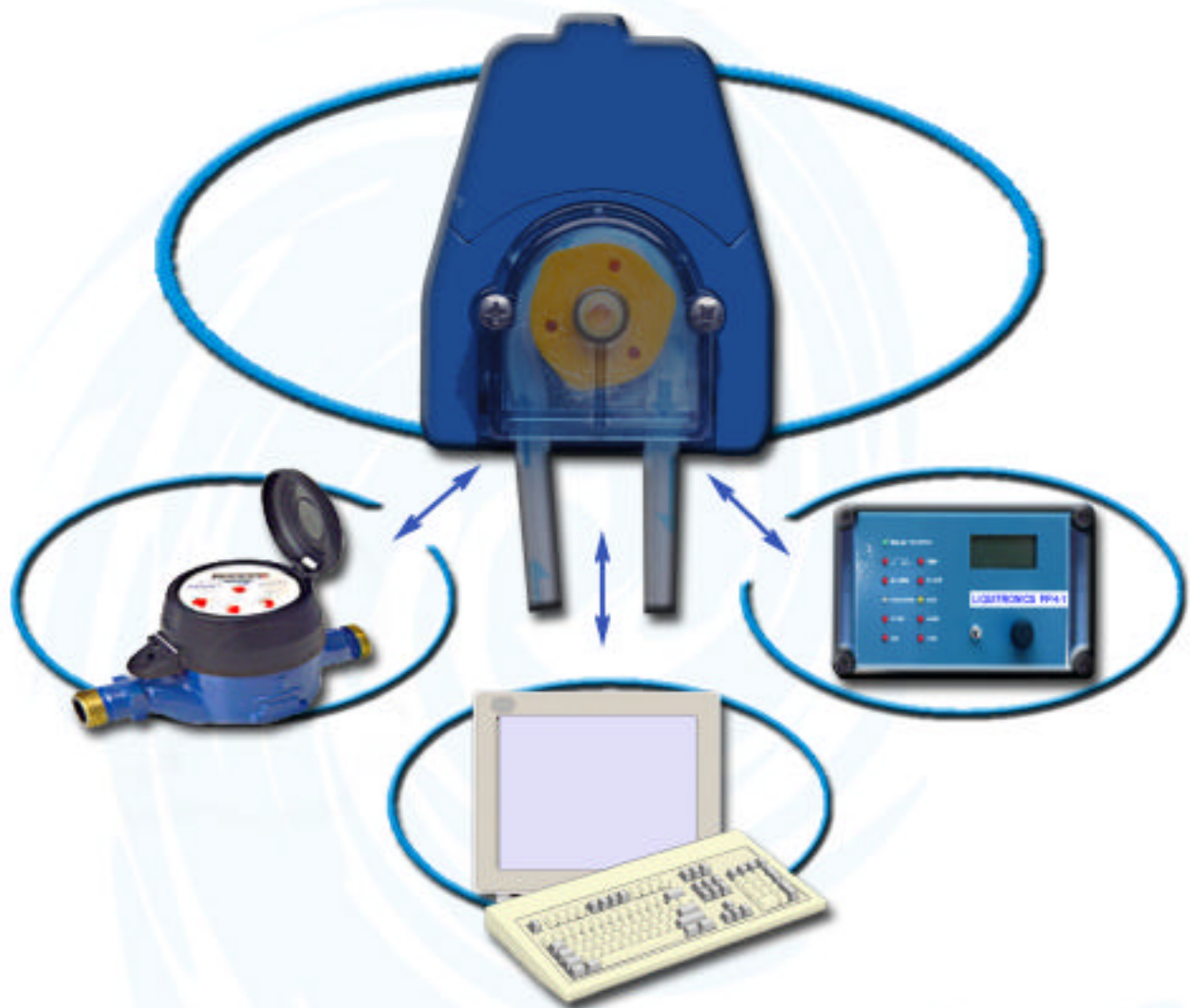


Externally Controlled Peristaltic Pumps



The externally controlled peristaltic pump has been designed by Liquid Controls (Aust.) Pty Ltd to offer a low cost compact and reliable means of dosing a wide range of liquids.

As with all peristaltic pumps they have excellent suction, performance, self priming up to 5 mts. from dry and capable of pumping up to 20 m. head pressure.

The externally controlled peristaltic pumps can be triggered from a number of potential free sources, i.e. watermeter, proportional pulse controller (pH / ORP), level and flow switches.

Along with the added features of time and speed control, your dosing requirements can be tailored to suit your clients needs.



Flow rate Injection

On receiving a voltage free signal from a flow meter, computer, contact closure or PLC, the pump will run for the time preset by the user, this is graduated into two ranges, 0-1 minute and 0-60 minutes



Batch injection or "Slug Dose"

On receiving a start signal from an activation switch, the pump will run for the time preset by the user. This is an ideal scenario for use on cooling towers in remote areas where high bacterial counts have been detected.

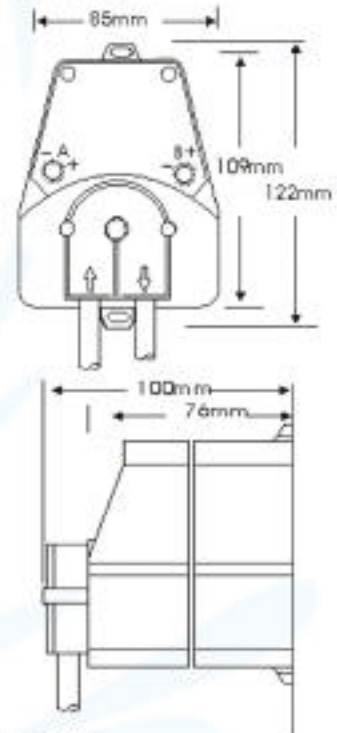


Proportional control via instrumentation

With a proportional signal being supplied by a pH/ORP controller i.e. Liquitronics® Model LPH-100, dosing proportional to input signal and set points can be achieved. With the added feature of time dwell the instances of "over shooting" are minimised if not eliminated

SPECIFICATIONS - Series EAV 201

POWER:	230v 50Hz - 60Hz 20mA (5 W)	
TUBING:	Santoprene	
FLOW:	MODEL: EAV 201-70 Maximum 100ml / min Minimum 30ml / min Minimum 5ml / min	MODEL: EAV 201-140 Maximum 200ml / min Minimum 60ml / min Minimum 10ml / min
TIMING :	1-60 seconds (default)	1-60 minutes
ENCLOSURE:	ABS - IP55	WEIGHT: 0.85kg Approx.



CIRCUIT PROTECTION

On circuit overload, pump will cycle on and off every minute until fault is rectified.

POTENTIOMETER A (default)

On receipt of external signal pump runs between 1-60 seconds or with internal selection between 1-60 minutes.

POTENTIOMETER A (selectable)

On internal control pump runs in variable pulsing mode to fully on.

POTENTIOMETER B

Increases or decreases pump speed.

Liquid Controls (Aust.) Pty Ltd
 3/1 Quist Crt., Dandenong Vic., 3175
 Tele: 03 9794 7066
liquid@liquidcontrols.com.au
www.liquidcontrols.com.au