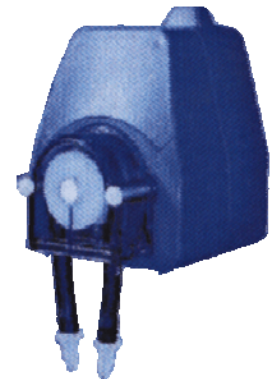


AL200CM variable speed cased pump

These pumps are low cost, compact and ideal for a wide range of low pressure dosing duties. The units are prewired for simplicity of installation and all use the standard 200 series mini-pump head, which we can supply fitted with Silicone, Santoprene® or Viton® tubing in a variety of sizes to suit virtually any application regardless of chemical compatibility.

The pumps are available in 24v (AC or DC) & 230v AC, with a special low flow 6v option.



AL200 CM – Product Codes and Specifications

| Model | Max Flow (ml min ⁻¹) | Tube ID (mm) | Tube Material | Supply |
|-------------------|----------------------------------|--------------|---------------|-----------|
| 200.070.024.016CM | 17 | 1.6 | Silicone | 24v AC/DC |
| 200.070.024.030CM | 50 | 3 | Silicone | 24v AC/DC |
| 200.070.024.050CM | 100 | 5 | Silicone | 24v AC/DC |
| 200.140.024.016CM | 34 | 1.6 | Silicone | 24v AC/DC |
| 200.140.024.030CM | 100 | 3 | Silicone | 24v AC/DC |
| 200.140.024.050CM | 200 | 5 | Silicone | 24v AC/DC |
| 200.070.030.016CM | 17 | 1.6 | Silicone | 230v AC |
| 200.070.030.030CM | 50 | 3 | Silicone | 230v AC |
| 200.070.030.050CM | 100 | 5 | Silicone | 230v AC |
| 200.140.030.016CM | 34 | 1.6 | Silicone | 230v AC |
| 200.140.030.030CM | 100 | 3 | Silicone | 230v AC |
| 200.140.030.050CM | 200 | 5 | Silicone | 230v AC |
| 200.005.006.016CM | 1 | 1.6 | Silicone | 6v AC/DC |
| 200.005.006.030CM | 3 | 3 | Silicone | 6v AC/DC |
| 200.005.006.050CM | 6 | 5 | Silicone | 6v AC/DC |
| Spare Pump Heads | 200.PH.050 Silicaon | | 5.0mm | |
| | 201.PH.050 Santoprene | | 5.0mm | |
| | 202.PH.050 Viton | | 5.0mm | |

All pumps adjusted down to around 30% of full output. Flow rates stated with water.
 For timer function add "T" to the end of the model number e.g. 200.140.030CMT.
 If you require any of the above CM units with Santoprene tubing substitute the 200 in the product code with 201. For Viton tubing substitute the 200 in the product code with 202.
 NB: The timer (CMT) version has no speed control facility.
 NB: The timer requires the signal to be no longer than the preset dose time.

- **Splash proof ABS injection moulded case**
- **Available in various colours for volume applications**
- **Choice of speed control or timer function**
- **Choice of supply voltage**
- **Uses standard 200 series mini pump heads**
- **Flow rates from 0.3ml – 200ml per minute**
- **Three tube materials and 3 tube sizes available**

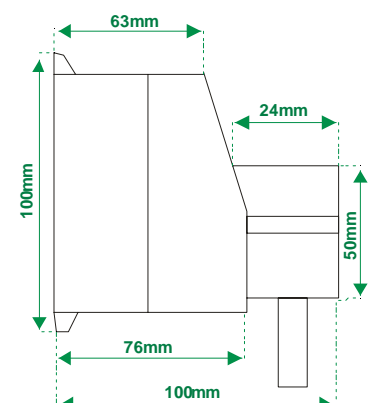
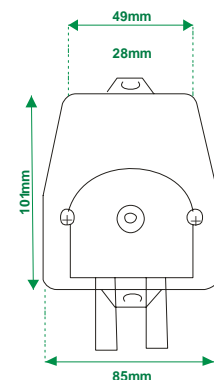
The AL200CM is a range of compact variable speed peristaltic pumps

The AL200MT is the same package as the CM, except the speed control is replaced with a timer function (1-6 seconds).

The optional Installation kit comprises the following:

- 6mPVC tube (4mmID, 6mmOD)
- 2 x fixing plugs and screws.
- Stainless steel injector.
- Suction weight.
- End cap.
- 2 x Barbed PP tube connectors
- 5 x Cable ties.

NB: the installation kit is not suitable for use with 1.6mm ID tube models



SOLD AND SERVICED BY

Liquid Controls (Aust) Pty Ltd
 3/1 Quist Court
 Dandenong Vic 3175
 Tele: 03 9794 7066 Fax: 03 9794 0641